

# Installation Note

---

**Second Source, Combiner, and Source Switches Upgrade Kit  
To Upgrade Option 219 to Option 224**

**Upgrade Kit Order Number: N5242AU- 922**



**Agilent Kit Number: N5242-60102**

**Agilent Document Number: N5242-90003**

**Printed in USA September 2007**

© Agilent Technologies, Inc. 2007



N5242-90003

---

## WARRANTY STATEMENT

THE MATERIAL CONTAINED IN THIS DOCUMENT IS PROVIDED “AS IS,” AND IS SUBJECT TO BEING CHANGED, WITHOUT NOTICE, IN FUTURE EDITIONS. FURTHER, TO THE MAXIMUM EXTENT PERMITTED BY APPLICABLE LAW, AGILENT DISCLAIMS ALL WARRANTIES, EITHER EXPRESS OR IMPLIED WITH REGARD TO THIS MANUAL AND ANY INFORMATION CONTAINED HEREIN, INCLUDING BUT NOT LIMITED TO THE IMPLIED WARRANTIES OF MERCHANTABILITY AND FITNESS FOR A PARTICULAR PURPOSE. AGILENT SHALL NOT BE LIABLE FOR ERRORS OR FOR INCIDENTAL OR CONSEQUENTIAL DAMAGES IN CONNECTION WITH THE FURNISHING, USE, OR PERFORMANCE OF THIS DOCUMENT OR ANY INFORMATION CONTAINED HEREIN. SHOULD AGILENT AND THE USER HAVE A SEPARATE WRITTEN AGREEMENT WITH WARRANTY TERMS COVERING THE MATERIAL IN THIS DOCUMENT THAT CONFLICT WITH THESE TERMS, THE WARRANTY TERMS IN THE SEPARATE AGREEMENT WILL CONTROL.

---

## DFARS/Restricted Rights Notice

If software is for use in the performance of a U.S. Government prime contract or subcontract, Software is delivered and licensed as “Commercial computer software” as defined in DFAR 252.227-7014 (June 1995), or as a “commercial item” as defined in FAR 2.101(a) or as “Restricted computer software” as defined in FAR 52.227-19 (June 1987) or any equivalent agency regulation or contract clause. Use, duplication or disclosure of Software is subject to Agilent Technologies’ standard commercial license terms, and non-DOD Departments and Agencies of the U.S. Government will receive no greater than Restricted Rights as defined in FAR 52.227-19(c)(1-2) (June 1987). U.S. Government users will receive no greater than Limited Rights as defined in FAR 52.227-14 (June 1987) or DFAR 252.227-7015 (b)(2) (November 1995), as applicable in any technical data.

---

## Safety Notes

The following safety notes are used throughout this document. Familiarize yourself with each of these notes and its meaning before performing any of the procedures in this document.

---

<b>WARNING</b>	<b>Warning denotes a hazard. It calls attention to a procedure which, if not correctly performed or adhered to, could result in injury or loss of life. Do not proceed beyond a warning note until the indicated conditions are fully understood and met.</b>
----------------	---

---

---

<b>CAUTION</b>	Caution denotes a hazard. It calls attention to a procedure that, if not correctly performed or adhered to, could result in damage to or destruction of the instrument. Do not proceed beyond a caution sign until the indicated conditions are fully understood and met.
----------------	---

---

---

## Getting Assistance from Agilent

By internet, phone, or fax, get assistance with all your test and measurement needs.

### Contacting Agilent

Assistance with test and measurements needs and information on finding a local Agilent office are available on the Web at:

<http://www.agilent.com/find/assist>

If you do not have access to the Internet, please contact your Agilent field engineer.

---

**NOTE** In any correspondence or telephone conversation, refer to the Agilent product by its model number and full serial number. With this information, the Agilent representative can determine whether your product is still within its warranty period.

---

---

## Description of the Upgrade

This upgrade converts your Option 219 2-port analyzer (with configurable test set, extended power range, and bias tees) to an Option 224 analyzer by adding:

- a second source
- source outputs routed to the front panel
- source outputs routed to the rear panel
- a source bypass switch to each source port channel
- a source combiner to the port 1 channel
- rear-panel test set inputs

---

## About Installing the Upgrade

Products affected . . . . .	N5242A Option 219
Installation to be performed by . . . . .	Agilent service center or personnel qualified by Agilent
Estimated installation time . . . . .	5.0 hours
Estimated adjustment time . . . . .	0.5 hours
Estimated full instrument calibration time . . . .	4.5 hours

## Items Included in the Upgrade Kit

Check the contents of your kit against the following list. If any part is missing or damaged, contact Agilent Technologies. Refer to [“Getting Assistance from Agilent” on page 3](#).

**Table 1 Contents of Upgrade Kit N5242-60102**

Ref Desig.	Description	Qty	Part Number
	Installation note (this document)	1	N5242-90003
A8	26.5 GHz source (2) board	1	5087-7307
A13	13.5 GHz source 2 synthesizer board	1	N5242-60002
A46	Port 1 source bypass switch	3	N1811-60006
A47	SRC 2 OUT source bypass switch		
A49	Port 2 source bypass switch		
A50	Combiner (bridge)	1	5087-7315
	Switch bracket	3	N5242-00009
	Machine screw, M2.5 x 20, pan head (to attach source bypass switch to switch bracket)	6	0515-1992
	Machine screw, M3.0 x 20, pan head (to attach combiner to switch bracket)	2	0515-1410
	Machine screw, M3.0 x 6, pan head (to attach switch bracket to analyzer)	6	0515-0430
	Termination, 50 ohm (for rear-panel PORT 3 SW TSET IN (J7))	1	1810-0118
	Bulkhead connector (front-panel SRC 2 OUT 1 and SRC 2 OUT 2)	2	08673-60040
	Washer (for bulkhead connector)	2	2190-0016
	Hex nut (for bulkhead connector)	2	2950-0001
	Lower front panel overlay (Option 224)	1	N5242-80002
W2	RF cable, A13 13.5 GHz source 2 synthesizer J1207 to A8 26.5 GHz source 2 P1	1	N5242-20109
W5	RF cable, A8 26.5 GHz source 2 to W101	1	N5242-20091
W7	RF cable, A8 26.5 GHz source 2 to W115	1	N5242-20092
W95	RF cable, W3 (from A5 26.5 GHz source 1) to A46 port 1 source bypass switch	1	N5242-20020
W96	RF cable, A46 port 1 source bypass switch to A25 test port 1 bridge	1	N5242-20007
W97	RF cable, A46 port 1 source bypass switch to rear-panel PORT 1 SW SRC OUT (J11)	1	N5242-20086
W98	RF cable, rear-panel PORT 1 COMB THRU IN (J10) to A50 combiner	1	N5242-20087
W99	RF cable, rear-panel PORT 1 COMB ARM IN (J9) to A50 combiner	1	N5242-20088
W100	RF cable, A50 combiner to A46 port 1 source bypass switch	1	N5242-20008
W101	RF cable, W5 (from A8 26.5 GHz source 2) to A47 SRC 2 source bypass switch	1	N5242-20017
W103	RF cable, A47 SRC 2 source bypass switch to rear-panel SRC 2 SW SRC OUT (J8)	1	N5242-20081
W104	RF cable, rear-panel PORT 3 SW TSET IN (J7) to A47 SRC 2 source bypass switch	1	N5242-20080
W109	RF cable, W9 (from A5 26.5 GHz source 1) to A49 port 2 source bypass switch	1	N5242-20019

**Table 1 Contents of Upgrade Kit N5242-60102**

<b>Ref Desig.</b>	<b>Description</b>	<b>Qty</b>	<b>Part Number</b>
W110	RF cable, A49 port 2 source bypass switch to A28 test port 2 bridge	1	N5242-20004
W111	RF cable, A49 port 2 source bypass switch to rear-panel PORT 2 SW SRC OUT (J2)	1	N5242-20084
W112	RF cable, rear-panel PORT 2 SW TSET IN (J1) to A49 port 2 source bypass switch	1	N5242-20085
W113	Rear panel jumper	3	E8356-20072
W115	RF cable, W7 (from A8 26.5 GHz source 2) to front-panel SRC 2 OUT 2	1	N5242-20107
W114	RF cable, A47 SRC 2 source bypass switch to front-panel SRC 2 OUT 1	1	N5242-20106
	Wire harness cable, A19 test set motherboard J101 to A46 port 1 source bypass switch	3	N5242-60003
	Wire harness cable, A19 test set motherboard J102 to A47 SRC 2 source bypass switch		
	Wire harness cable, A19 test set motherboard J104 to A49 port 2 source bypass switch		

---

## Installation Procedure for the Upgrade

The network analyzer must be in proper working condition prior to installing this option. Any necessary repairs must be made before proceeding with this installation.

---

**WARNING**      **This installation requires the removal of the analyzer’s protective outer covers. The analyzer must be powered down and disconnected from the mains supply before performing this procedure.**

---

### Electrostatic Discharge Protection

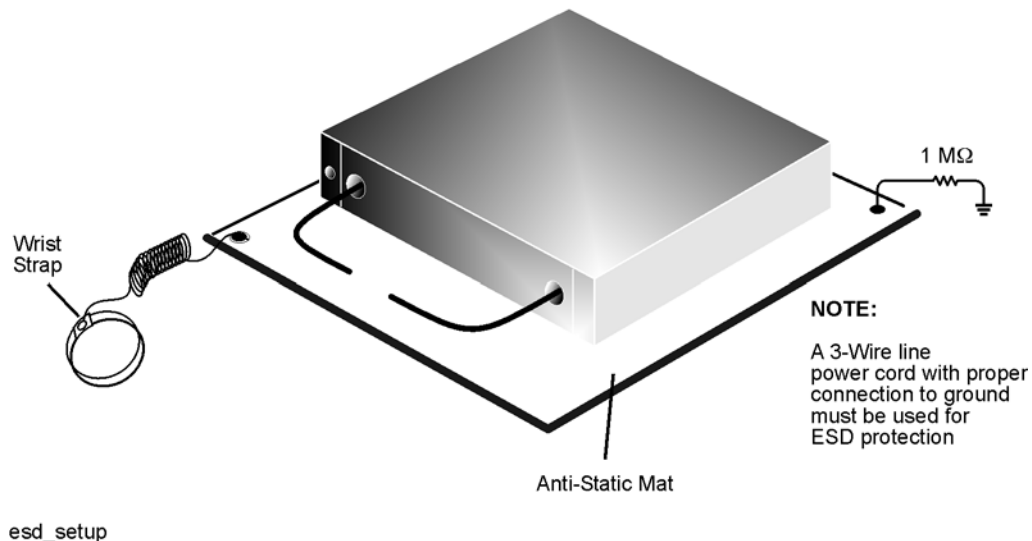
Protection against electrostatic discharge (ESD) is essential while removing or connecting cables or assemblies within the network analyzer.

Static electricity can build up on your body and can easily damage sensitive internal circuit elements when discharged. Static discharges too small to be felt can cause permanent damage. To prevent damage to the instrument:

- *always* have a grounded, conductive table mat in front of your test equipment.
- *always* wear a grounded wrist strap, connected to a grounded conductive table mat, having a 1 M $\Omega$  resistor in series with it, when handling components and assemblies or when making connections.
- *always* wear a heel strap when working in an area with a conductive floor. If you are uncertain about the conductivity of your floor, wear a heel strap.
- *always* ground yourself before you clean, inspect, or make a connection to a static-sensitive device or test port. You can, for example, grasp the grounded outer shell of the test port or cable connector briefly.

Figure 1 shows a typical ESD protection setup using a grounded mat and wrist strap. Refer to “Tools and Equipment Required for the Installation” on page 7 for part numbers.

**Figure 1 ESD Protection Setup**



## Tools and Equipment Required for the Installation

Description	Qty	Part Number
T-10 TORX driver (set to 9 in-lbs)	1	N/A
T-20 TORX driver (set to 21 in-lbs)	1	N/A
5/16-in torque wrench (set to 10 in-lbs)	1	N/A
5/16-in torque wrench (set to 21 in-lbs)	1	N/A

---

**CAUTION** Use a 5/16-in torque wrench set to 10 in-lbs on all cable connections except the front and rear panel cable connectors. Torque these connections to 21 in-lb.

---

## ESD Equipment and Supplies Required for the Installation

Description	Agilent Part Number
ESD grounding wrist strap	9300-1367
5-ft grounding cord for wrist strap	9300-0980
2 x 4 ft conductive table mat and 15-ft grounding wire	9300-0797
ESD heel strap (for use with conductive floors)	9300-1308

## Overview of the Installation Procedure

- Step 1. Remove the Outer Cover.
- Step 2. Remove the Inner Cover.
- Step 3. Remove the Front Panel Assembly.
- Step 4. Remove the Existing Test Set Cables.
- Step 5. Assemble the Source Bypass Switches.
- Step 6. Install the Source Bypass Switches.
- Step 7. Install the Second Source Boards.
- Step 8. Install the Source 2 Front Panel Connectors.
- Step 9. Remove the A19 Test Set Motherboard and the A20 IF Multiplexer Board.
- Step 10. Install the New Test Set Cables.
- Step 11. Reinstall the A20 IF Multiplexer Board and the A19 Test Set Motherboard.
- Step 12. Replace the Lower Front Panel Overlay.
- Step 13. Reinstall the Front Panel Assembly and Front Panel Jumpers.
- Step 14. Reinstall the Inner Cover.
- Step 15. Reinstall the Outer Cover.
- Step 16. Enable Option 224.
- Step 17. Perform Post-Upgrade Adjustments and Calibration.

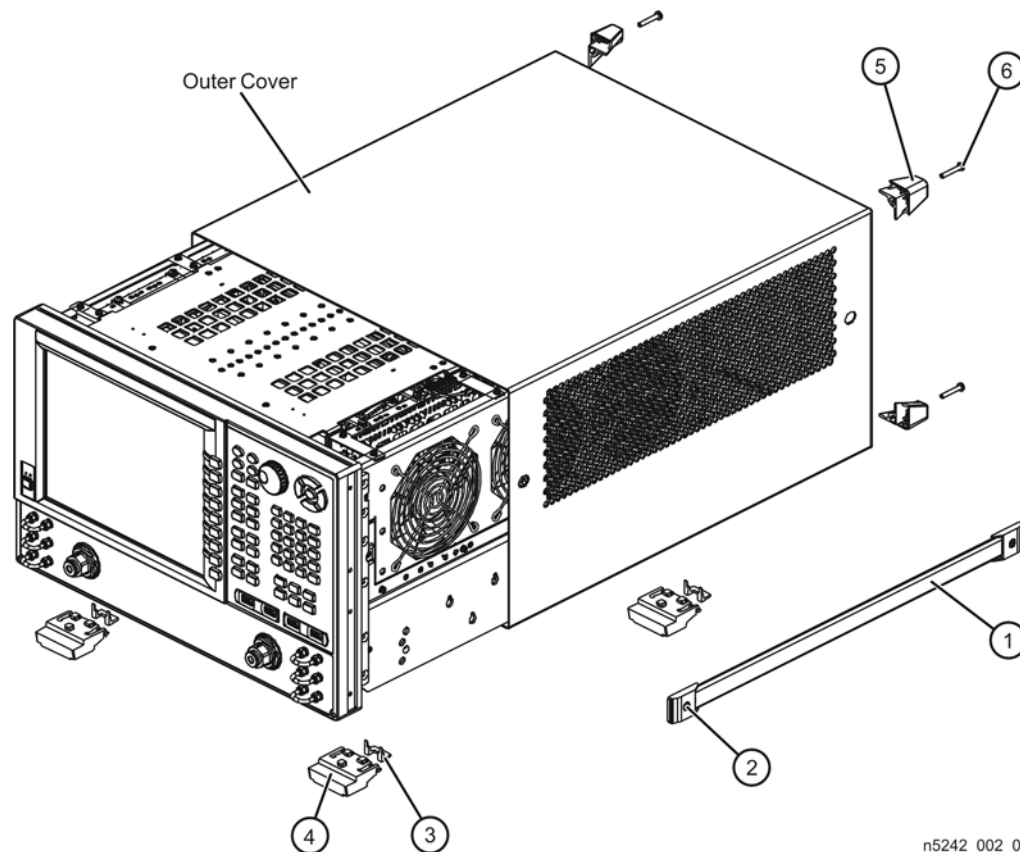
## Step 1. Remove the Outer Cover

**CAUTION** This procedure is best performed with the analyzer resting on its front handles in the vertical position. *Do not place the analyzer on its front panel without the handles.* This will damage the front panel assemblies.

Refer to [Figure 2](#) for this step of the procedure.

1. Disconnect the power cord (if it has not already been disconnected).
2. Remove the strap handles (item ①) by loosening the screws (item ②), with a T-20 TORX driver, on both ends until the handle is free of the analyzer.
3. Remove the foot locks (item ③) from the four bottom feet (item ④) and then remove the four bottom feet from the outer cover.
4. Remove the four rear panel feet (item ⑤) by removing the center screws (item ⑥) with a T-20 TORX driver.
5. Slide the outer cover toward the rear of the analyzer and remove it.

**Figure 2 Outer Cover Removal**



n5242\_002\_01

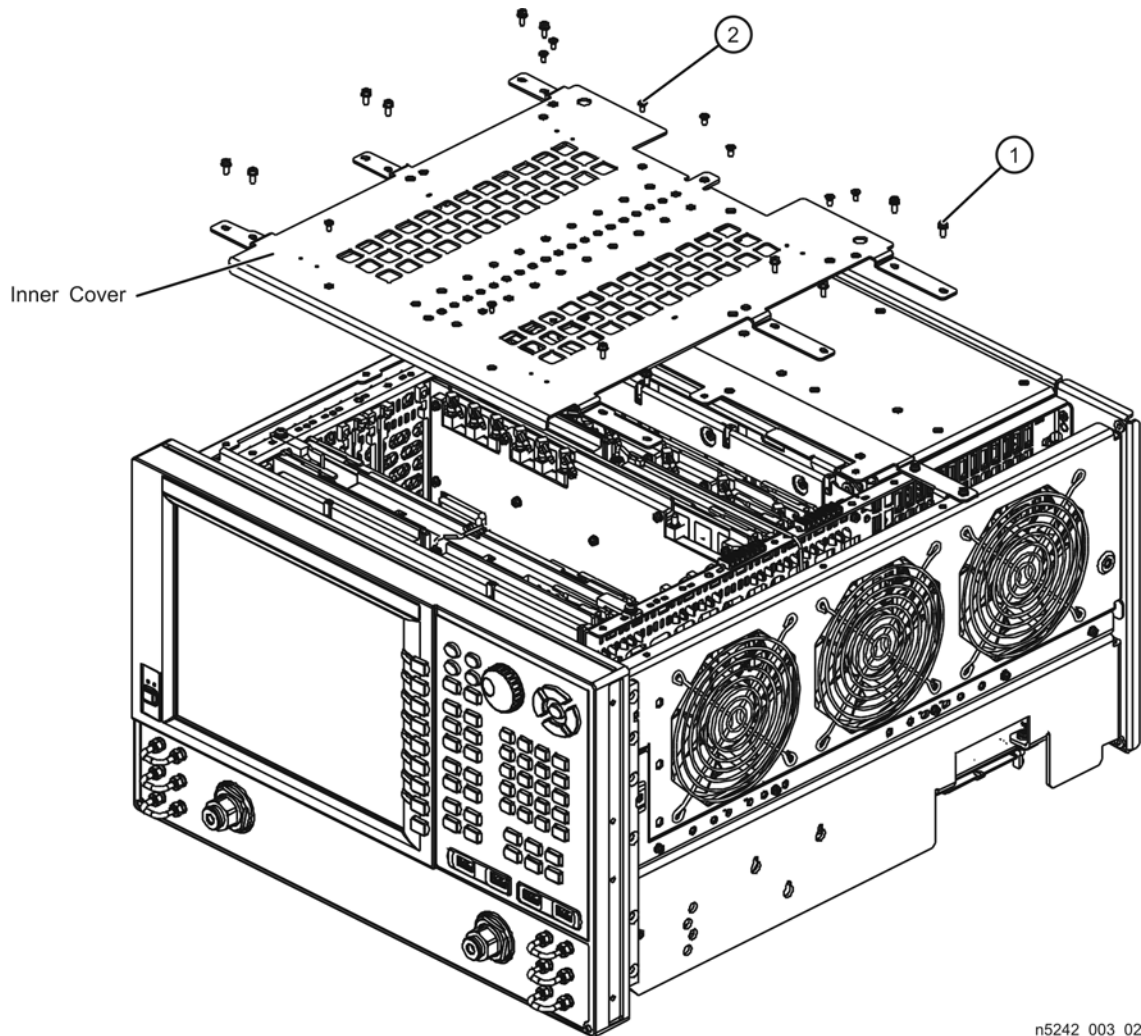


## Step 2. Remove the Inner Cover

Refer to [Figure 3](#) for this step of the procedure.

1. With a T-10 TORX driver, remove the 12 pan head screws (item ①).
2. With a T-10 TORX driver, remove the 9 flat head screws (item ②).
3. Lift off the cover.

**Figure 3 Inner Cover Removal**



n5242\_003\_02

### Step 3. Remove the Front Panel Assembly

Refer to [Figure 4](#) for this step of the procedure.

1. With a 5/16-in wrench, remove all front panel jumpers (item ①).
2. With a T-10 TORX driver, remove the screws (item ②) from the sides of the frame.

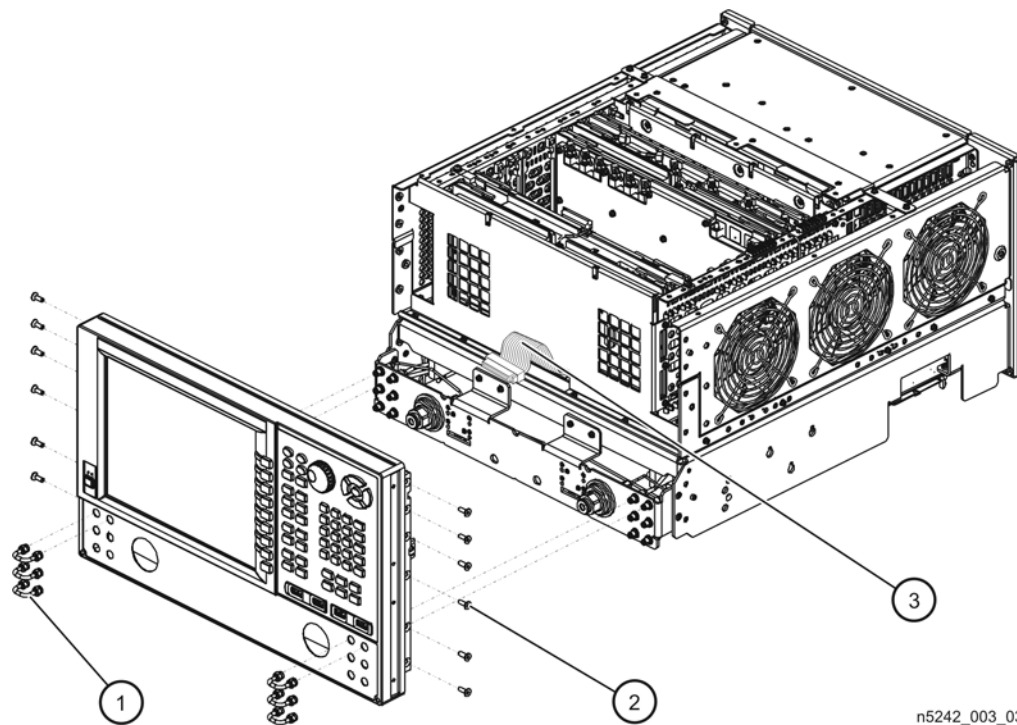
---

**CAUTION** Before removing the front panel from the analyzer, lift and support the front of the analyzer chassis.

---

3. Slide the front panel over the test port connectors.
4. Disconnect the front panel interface ribbon cable (item ③). The front panel is now free from the analyzer.

**Figure 4 Front Panel Assembly Removal**



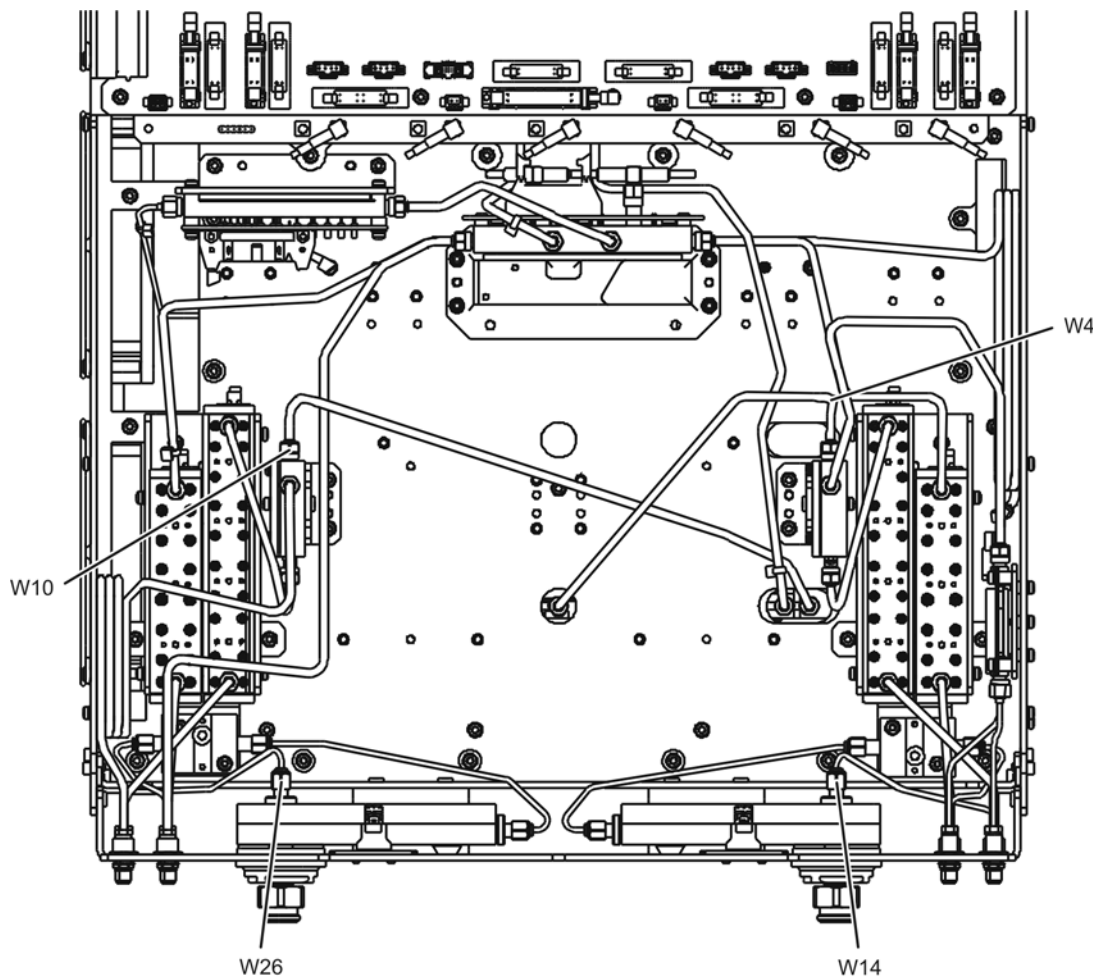
n5242\_003\_03

## Step 4. Remove the Existing Test Set Cables

Refer to [Figure 5](#) for this step of the procedure.

1. Place the analyzer bottom-side up on a flat surface.
2. Remove the following cables in the order listed:
  - W4 W3 (from A5 26.5 GHz source 1 board OUT 1) to A25 port 1 bridge
  - W10 W9 (from A5 26.5 GHz source 1 board OUT 2) to A28 port 2 bridge

**Figure 5 Existing Test Set Cables Removal**



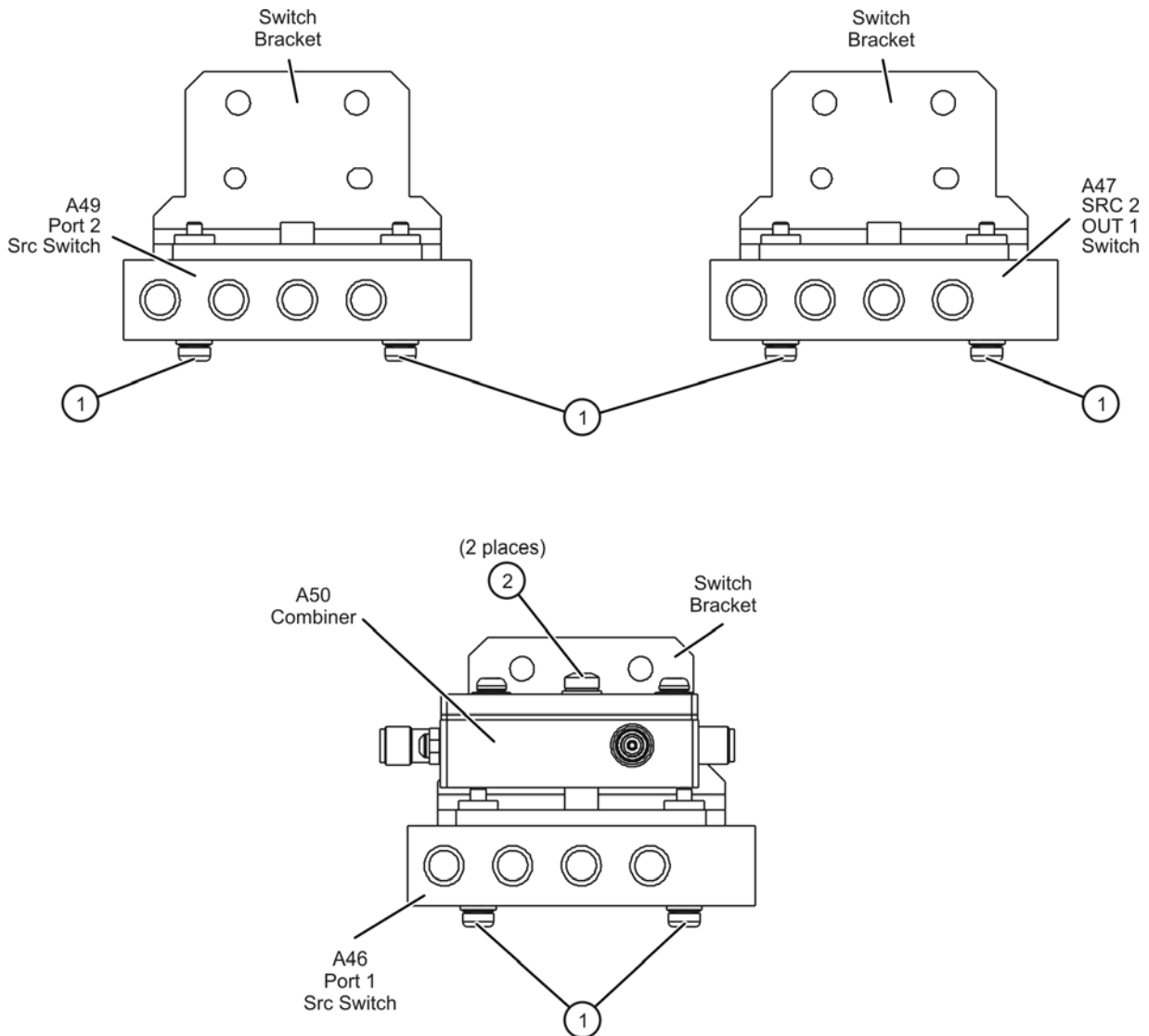
n5242\_003\_04

## Step 5. Assemble the Source Bypass Switches

Refer to [Figure 6](#) for this step of the procedure. New parts are listed in [Table 1](#) on page 4.

1. Position each source bypass switch on a switch bracket as shown.
2. Secure each switch to its bracket using two screws (item ①) for each. Make sure that the switches are oriented as shown.
3. Position the A50 combiner on one of the switch brackets as shown. This will be the bracket with the A46 port 1 source bypass switch.
4. Secure the A50 combiner to the bracket using two screws (item ②). Make sure that the A50 combiner is oriented as shown.

**Figure 6 Source Bypass Switches Assembly**



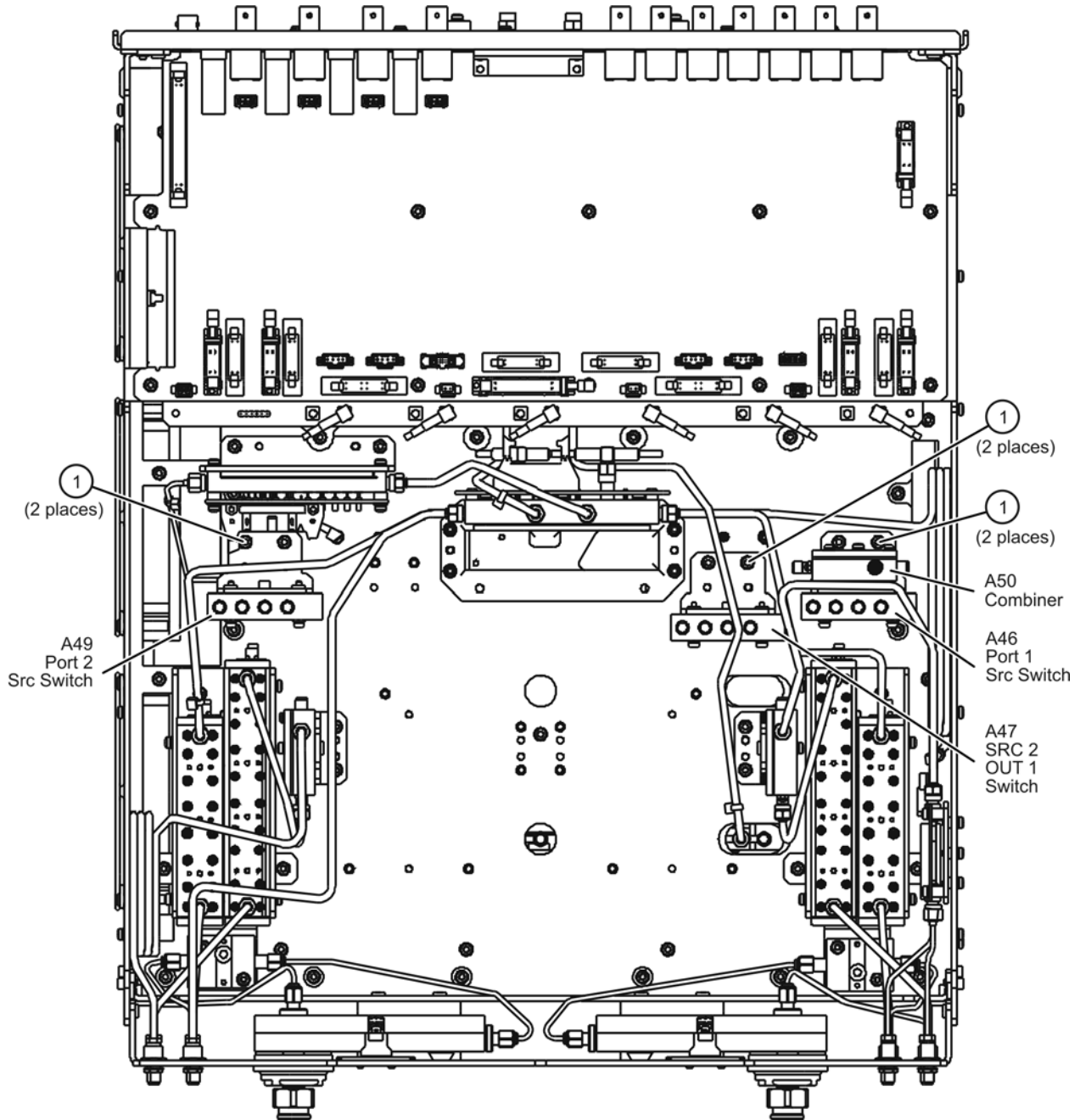
n5242\_003\_05

## Step 6. Install the Source Bypass Switches

Refer to [Figure 7](#) for this step of the procedure. New parts are listed in [Table 1 on page 4](#).

1. Position the switch brackets (with the switches and combiner attached) in the analyzer as shown. Make sure that the switch bracket with the A50 combiner is in the location shown.
2. Secure the switch brackets to the analyzer test set deck using two screws (item ①) each.

**Figure 7 Source Bypass Switches Installation into the Analyzer**



n5242\_003\_06

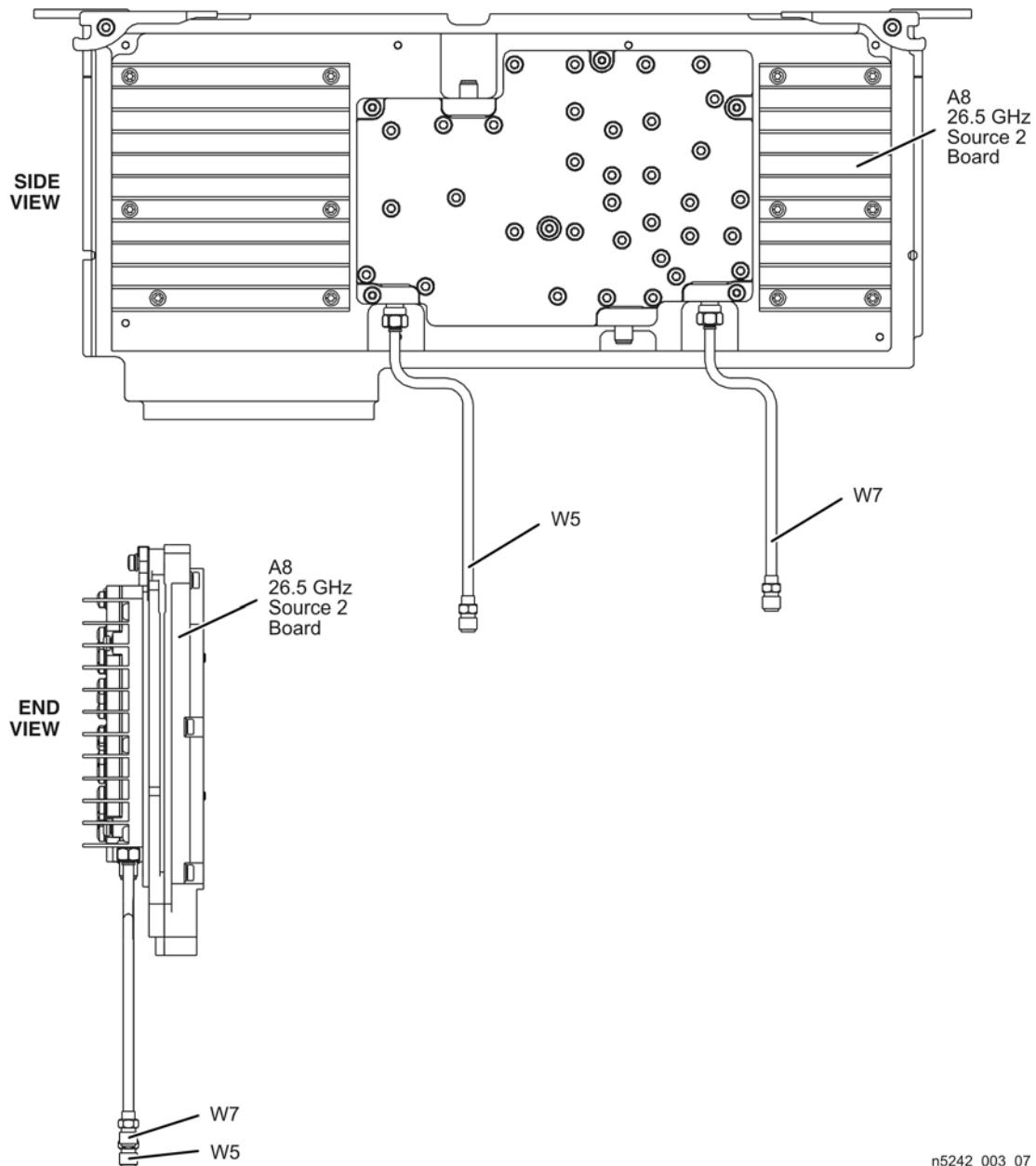
## Step 7. Install the Second Source Boards

### Install Cables on Source 2 Board

Refer to [Figure 8](#) for this part of this step of the procedure. New parts are listed in [Table 1](#) on [page 4](#).

1. Attach cables W5 and W7 to the A8 26.5 GHz source 2 board as shown. Make sure that both cables are parallel to the A8 26.5 GHz source board as shown in the END VIEW. Cable W5 is the longer of the two cables.
2. Use a 5/16-in torque wrench set to 10 in-lbs to tighten the cable connectors.

**Figure 8 Second Source Boards Installation, Part 1**



n5242\_003\_07

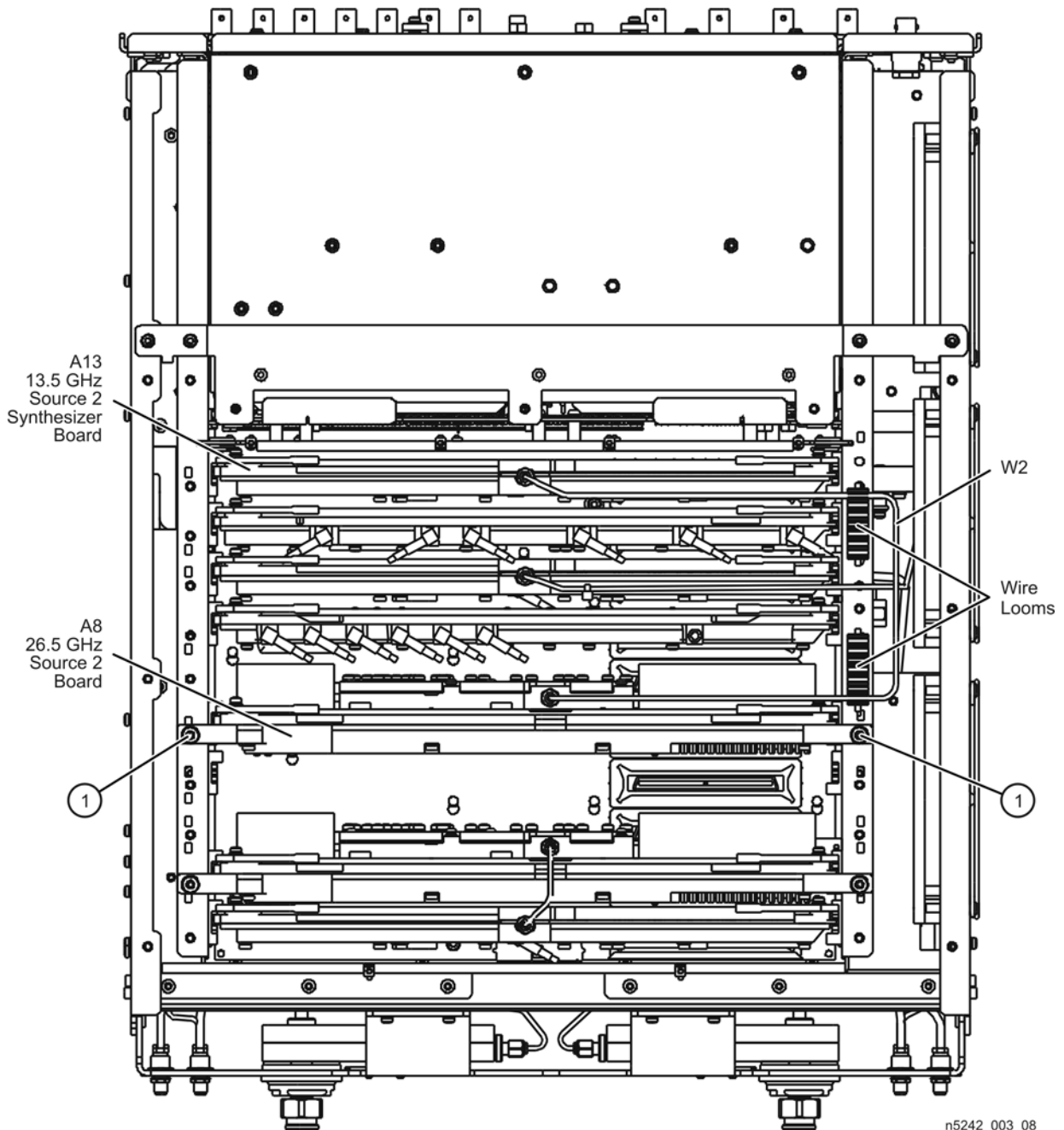


## Install the Second Source Boards into the Analyzer

Refer to [Figure 8](#) for this part of this step of the procedure. New parts are listed in [Table 1 on page 4](#).

1. Install the A8 26.5 GHz source 2 board and the A13 13.5 GHz source 2 synthesizer board in the analyzer as shown. Secure the A8 26.5 GHz source 2 board with two screws (item ①).
2. Connect cable W2 between the A8 26.5 GHz source 2 board and the A13 13.5 GHz source 2 synthesizer board as shown. Be sure to position the cable in the wire looms as shown. Tighten the cable connectors to 10 in-lbs using a 5/16-in torque wrench.

**Figure 9** Second Source Boards Installation, Part 2



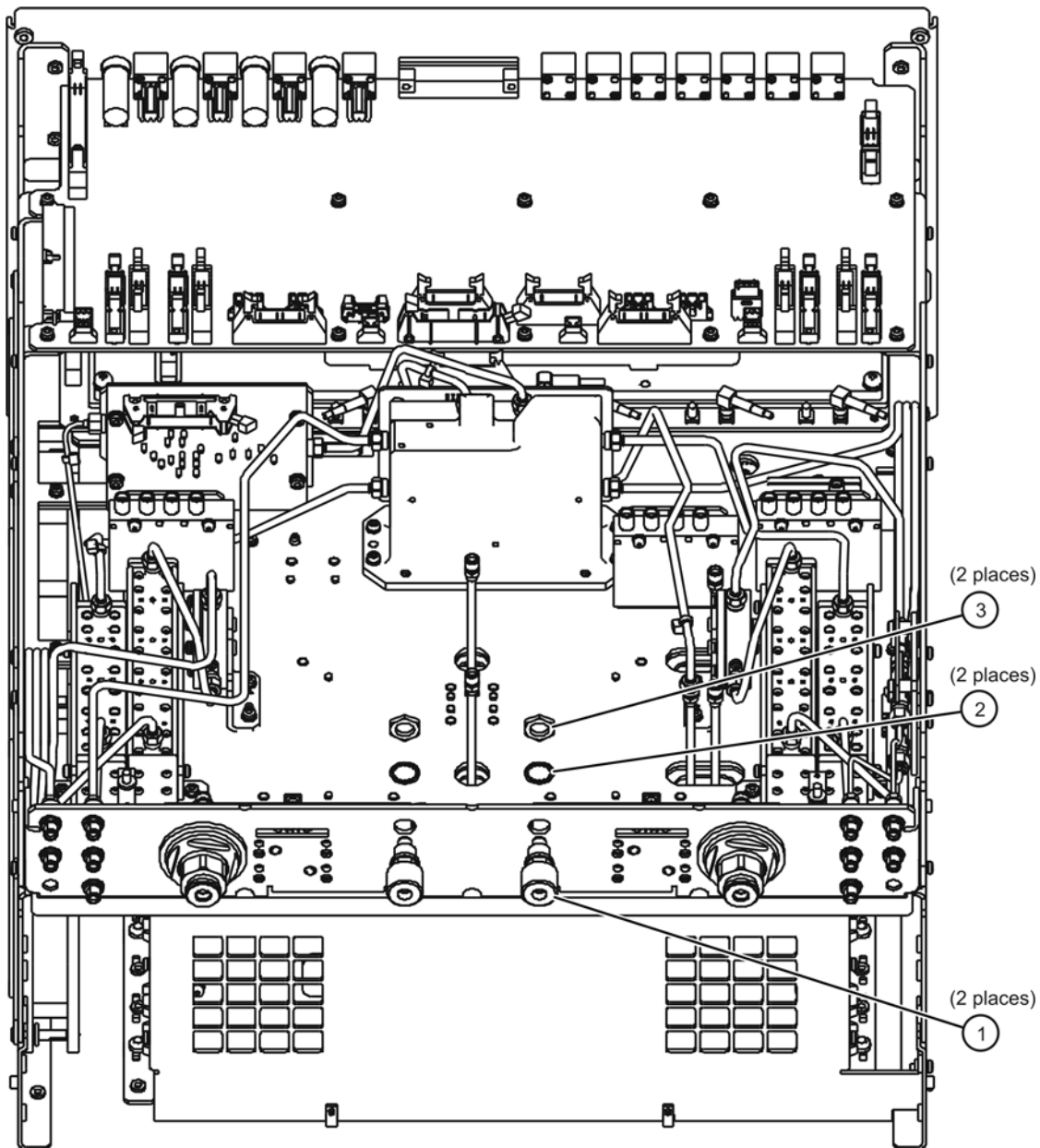
n5242\_003\_08

## Step 8. Install the Source 2 Front Panel Connectors

Refer to [Figure 10](#) for this step of the procedure. New parts are listed in [Table 1 on page 4](#).

1. Insert two bulkhead connectors (item ①) through the holes in the test set deck front panel as shown.
2. Secure the bulkhead connectors with two lock washers (item ②) and two hex nuts (item ③) as shown.
3. Torque the hex nuts to 21 in-lbs.

**Figure 10 Source 2 Front Panel Connectors Installation**



n5242\_003\_09



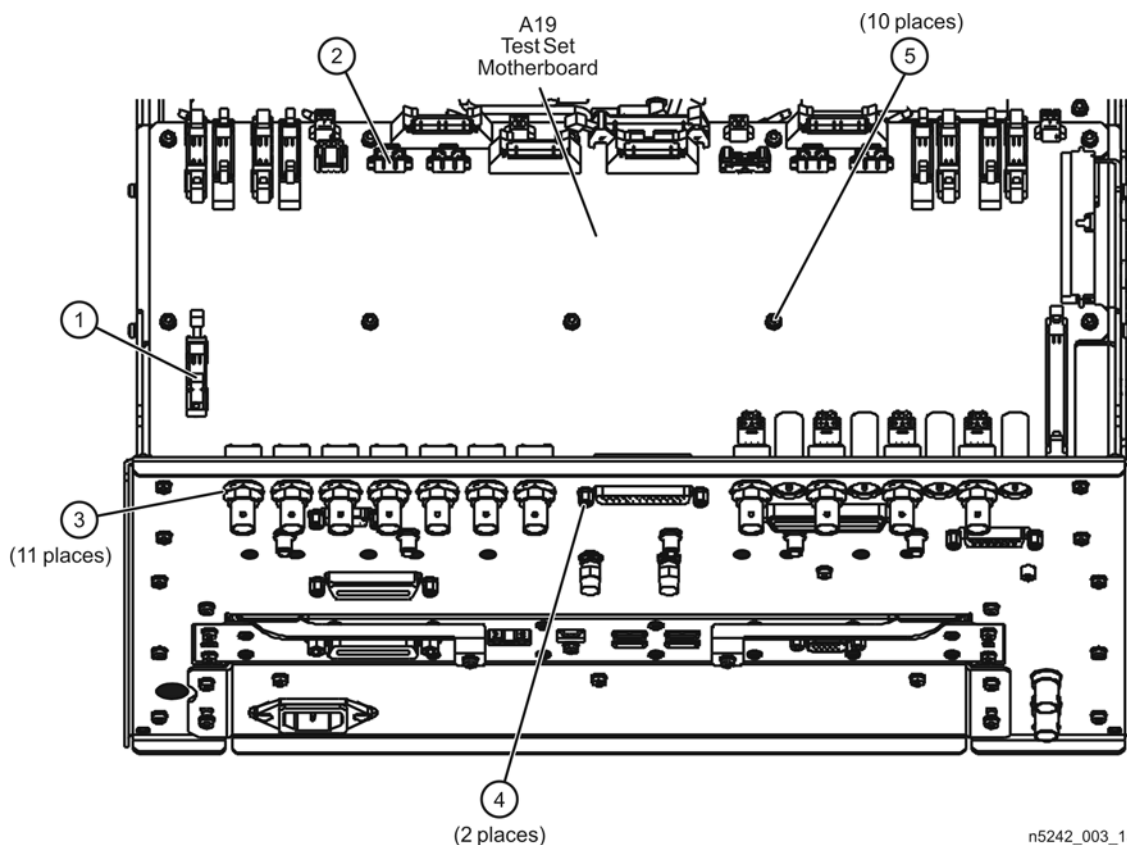
## Step 9. Remove the A19 Test Set Motherboard and the A20 IF Multiplexer Board

### Remove the A19 Test Set Motherboard

Refer to [Figure 11](#) for this part of this step of the procedure.

1. Disconnect ALL ribbon cables (item ①) and ALL wire harnesses (item ②) from the A19 test set motherboard. Make sure they are labeled for re-connection later.
2. Remove connector hardware (item ③) from 11 rear panel BNC connectors.
3. Remove connector hardware (item ④) from the rear panel TEST SET I/O connector.
4. Remove 10 screws (item ⑤) from the A19 test set motherboard.
5. Slide the A19 test set motherboard toward the front of the instrument until the rear panel BNC connectors are free of the rear panel, then lift the motherboard and remove it from the analyzer.

**Figure 11 A19 Test Set Motherboard Removal**

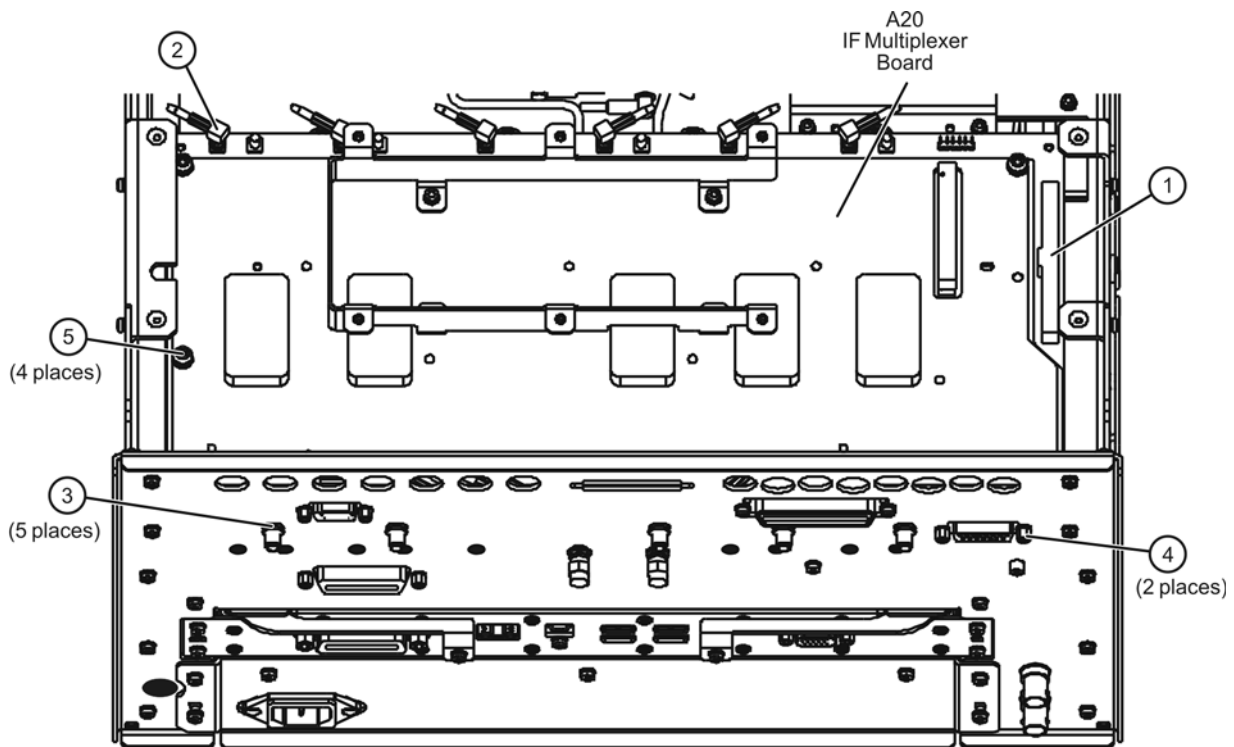


## Remove the A20 IF Multiplexer Board

Refer to [Figure 12](#) for this part of this step of the procedure.

1. Disconnect the ribbon cable (item ①) from the A20 IF multiplexer board.
2. Disconnect ALL gray flexible RF cables (item ②) from the A20 IF multiplexer board. Make sure they are labeled for re-connection later.
3. Remove connector hardware (item ③) from five rear panel RF connectors.
4. Remove connector hardware (item ④) from the rear panel PULSE I/O connector.
5. Remove four screws (item ⑤) from the A20 IF multiplexer board.
6. Slide the A20 IF multiplexer board toward the front of the instrument until the rear panel connectors are free of the rear panel, then lift the board and remove it from the analyzer.

**Figure 12 A20 IF Multiplexer Board Removal**



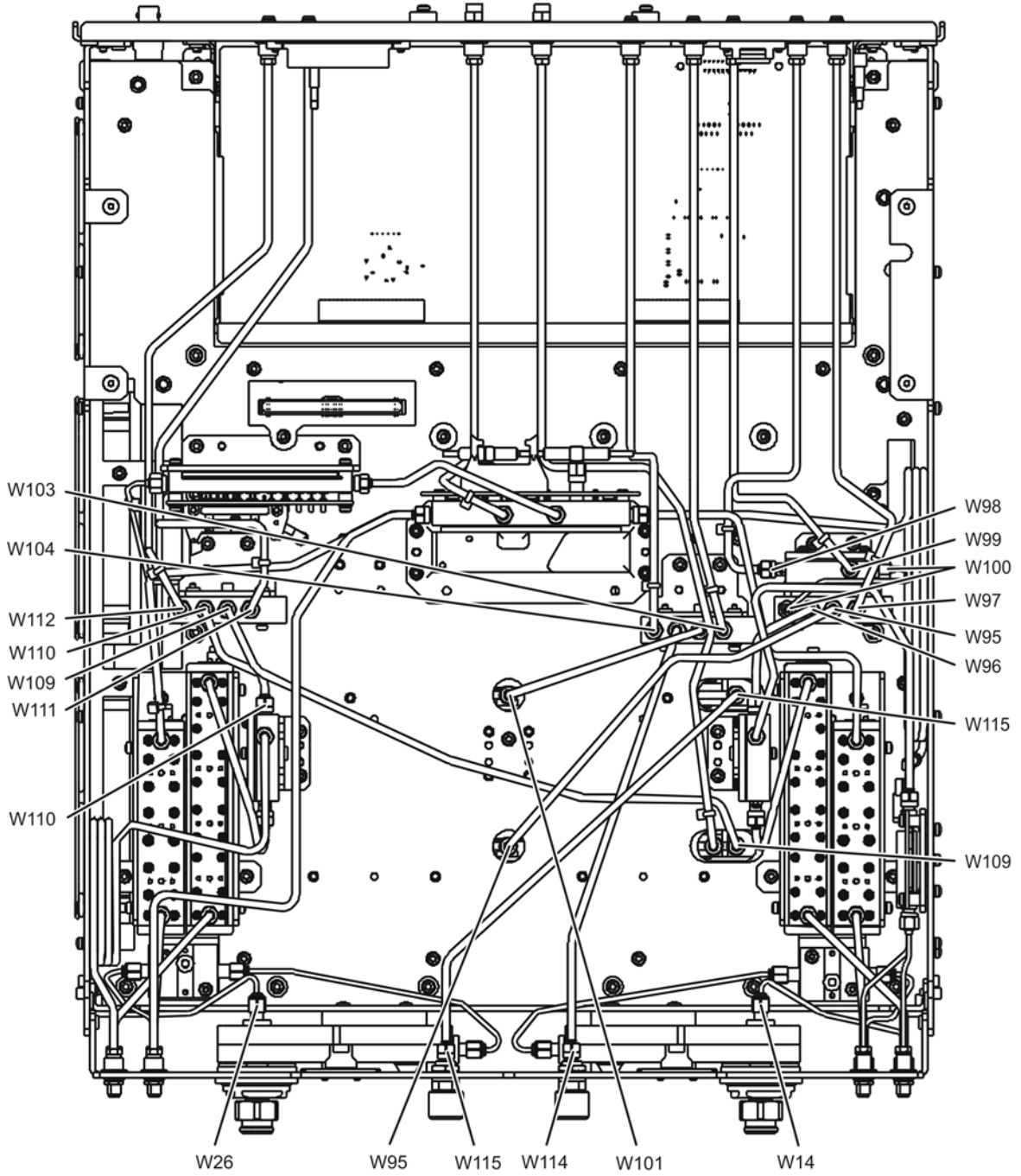
n5242\_003\_16

## Step 10. Install the New Test Set Cables

Refer to [Figure 13](#) for this part of this step of the procedure. New parts are listed in [Table 1 on page 4](#).

1. Remove hole plugs from the following rear panel connector openings:
  - PORT 1—COMB THRU IN (J10) and SW SRC OUT (J11)
  - PORT 1—COMB ARM IN (J9) and SRC 2 SW SRC OUT (J8)
  - PORT 3—SW TSET IN (J7)
  - PORT 2—SW TSET IN (J1) and SW SRC OUT (J2)
2. Install the following cables in the order listed. Use a 5/16-in torque wrench set to 10 in-lbs to tighten all cable connectors.
  - W95 W3 (from A5 26.5 GHz source 1 board) to A46 port 1 source bypass switch
  - W96 A46 port 1 source bypass switch to A25 test port 1 bridge
  - W97 A46 port 1 source bypass switch to rear-panel PORT 1 SW SRC OUT (J11)
  - W98 Rear-panel PORT 1 COMB THRU IN (J10) to A50 combiner
  - W99 Rear-panel PORT 1 COMB ARM IN (J9) to A50 combiner
  - W100 A50 combiner to A46 port 1 source bypass switch
  - W101 W5 (from A8 26.5 GHz source 2 board) to A47 SRC 2 source bypass switch
  - W103 A47 SRC 2 source bypass switch to rear-panel SRC 2 SW SRC OUT (J8)
  - W104 Rear-panel PORT 3 SW TSET IN (J7) to A47 SRC 2 source bypass switch
  - W109 W9 (from A5 26.5 GHz source 1 board) to A49 port 2 source bypass switch
  - W110 A49 port 2 source bypass switch to A28 test port 2 bridge
  - W111 A49 port 2 source bypass switch to rear-panel PORT 2 SW SRC OUT (J2)
  - W112 Rear-panel PORT 2 SW TSET IN (J1) to A49 port 2 source bypass switch
  - W115 W7 (from A8 26.5 GHz source 2 board) to front-panel SRC 2 OUT 2
  - W114 A47 SRC 2 source bypass switch to front-panel SRC 2 OUT 1

**Figure 13 New Test Set Cable Installation, Part 1**

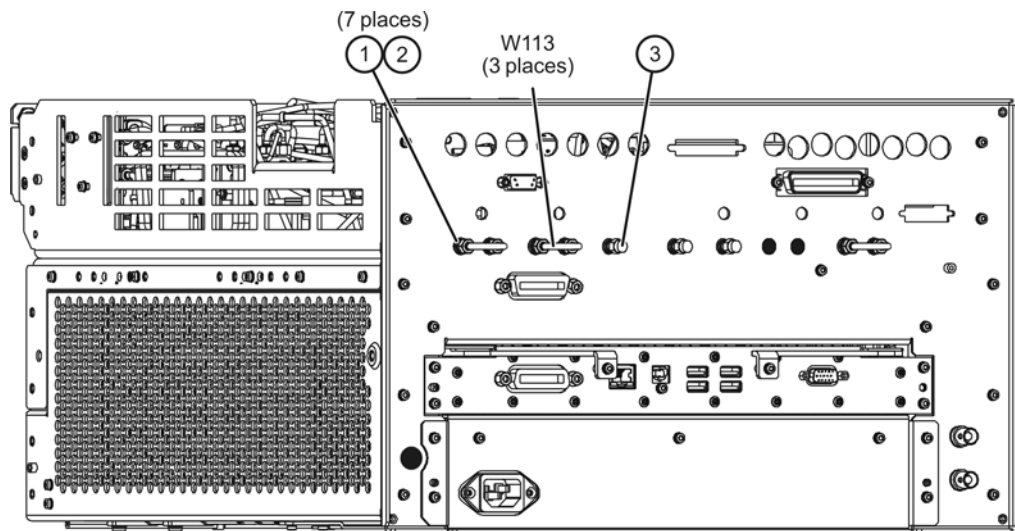


n5242\_003\_10-1

Refer to [Figure 14](#) for this part of this step of the procedure. New parts are listed in [Table 1 on page 4](#).

1. Install lock washers (item ①) and hex nuts (item ②) on the seven new rear panel cable connectors.
2. Using a 5/16-in torque wrench set to 21 in-lbs, tighten the hex nuts on the rear panel cable connectors.
3. Install the three rear panel jumpers, W113, in the locations shown (and as listed below) and torque the connectors to 10 in-lbs:
  - a. Jumper PORT 1 COMB THRU IN (J10) to PORT 1 SW SRC OUT (J11)
  - b. Jumper PORT 1 COMB ARM IN (J9) to SRC 2 SW SRC OUT (J8)
  - c. Jumper PORT 2 SW TSET IN (J1) to PORT 2 SW SRC OUT (J2)
4. Install a 50-ohm termination (item ③) on the PORT 3 SW TSET IN (J7) connector, as indicated, and torque the termination connector to 10 in-lbs.

**Figure 14 New Test Set Cable Installation, Part 2**



n5242\_003\_10-2

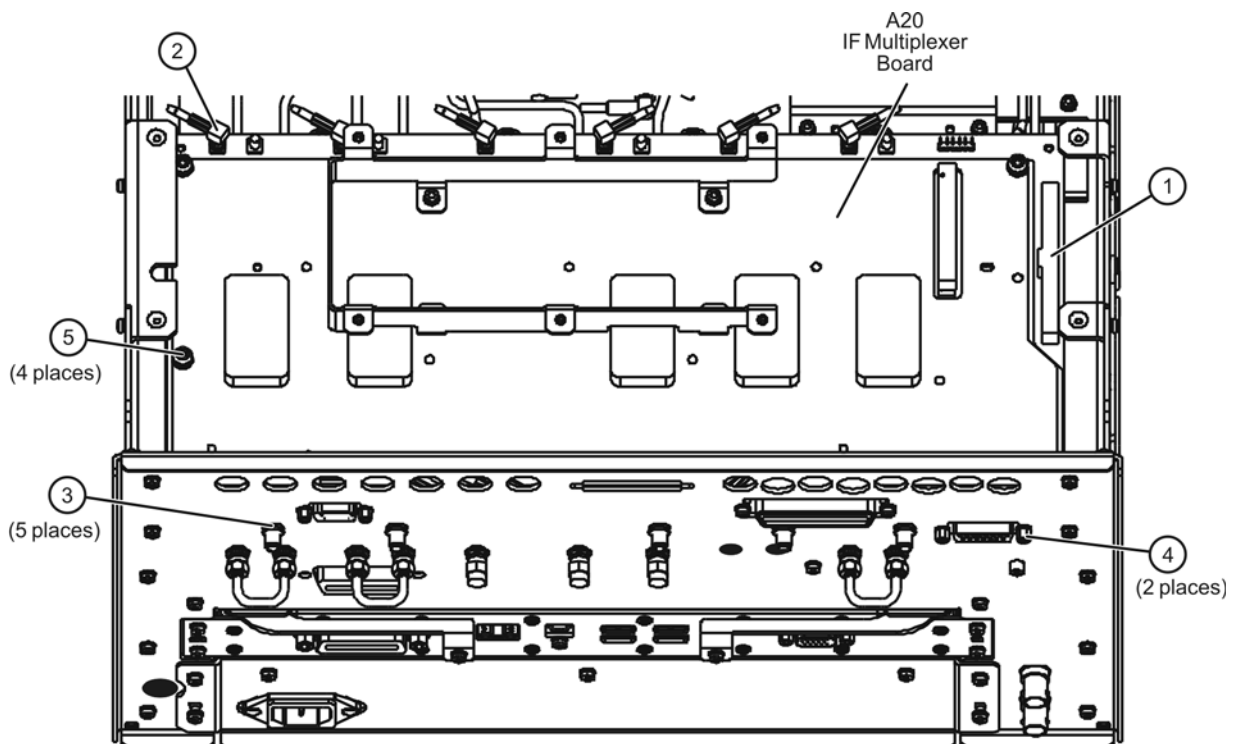
## Step 11. Reinstall the A20 IF Multiplexer Board and the A19 Test Set Motherboard

### Reinstall the A20 IF Multiplexer Board

Refer to [Figure 15](#) for this part of this step of the procedure.

1. Position the A20 IF multiplexer board in the analyzer and slide it toward the rear of the instrument until the rear panel connectors are completely through the rear panel.
2. *Loosely* reinstall four screws (item ⑤) in the A20 IF multiplexer board.
3. Reinstall connector hardware (item ③) on five rear panel RF connectors. Torque the hex nuts to 21 in-lbs.
4. Reinstall connector hardware (item ④) on the rear panel PULSE I/O connector. Torque the connector nuts to 6 in-lbs.
5. Torque the four screws (item ⑤) to 21 in-lbs.
6. Reconnect ALL gray flexible RF cables (item ②) to the A20 IF multiplexer board.
7. Reconnect the ribbon cable (item ①) to the A20 IF multiplexer board.

**Figure 15 A20 IF Multiplexer Board Reinstallation**



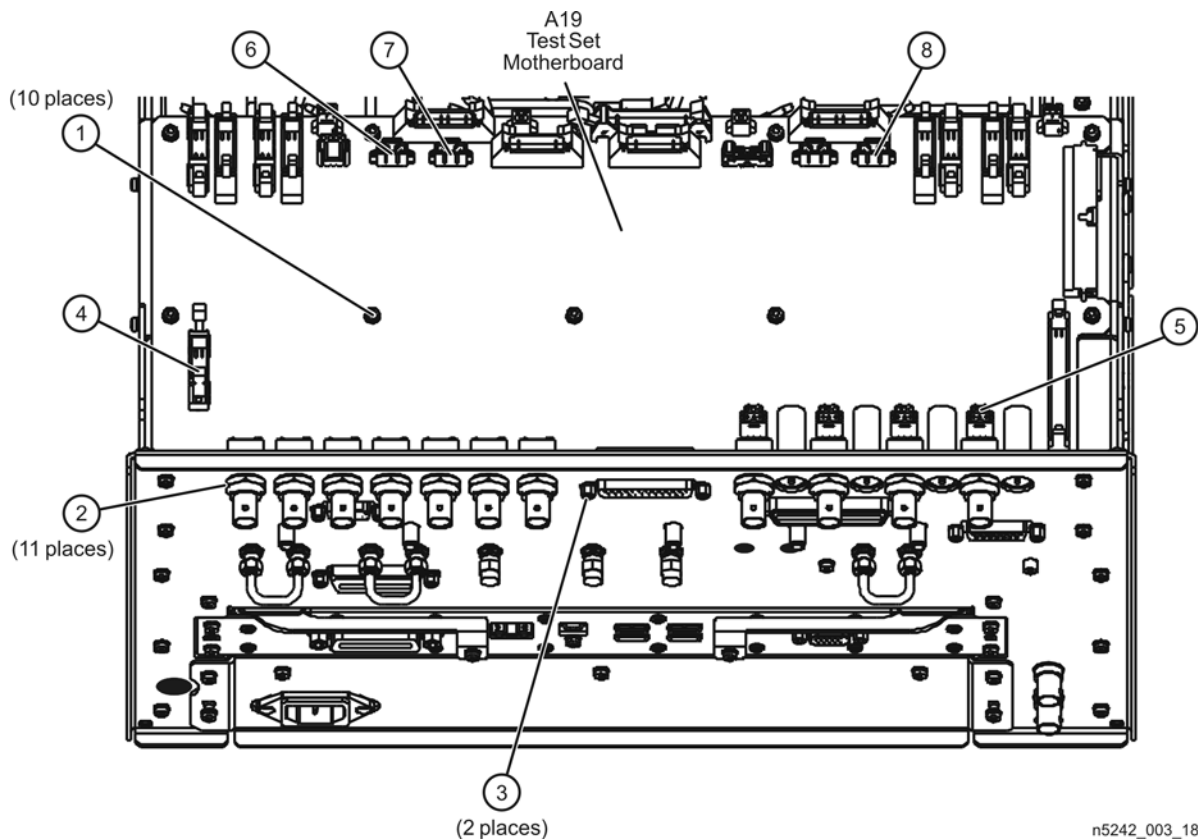
n5242\_003\_17

## Reinstall the A19 Test Set Motherboard

Refer to [Figure 16](#) for this part of this step of the procedure.

1. Position the A19 test set motherboard in the analyzer and slide it toward the rear of the instrument until the rear panel BNC connectors are completely through the holes in the rear panel.
2. *Loosely* reinstall 10 screws (item ①) in the A19 test set motherboard.
3. Reinstall connector hardware (item ②) on 11 rear panel BNC connectors. Torque hex nuts to 21 in-lbs.
4. Reinstall connector hardware (item ③) on the rear panel TEST SET I/O connector. Torque connector nuts to 6 in-lbs.
5. Torque the 10 screws (item ①) to 9 in-lbs.
6. Reconnect ALL ribbon cables (item ④) and ALL wire harnesses (item ⑤) to the A19 test set motherboard.
7. Connect the source bypass switch control cables to the A19 test set motherboard as follows: A46 to item ⑥, A47 to item ⑦, A49 to item ⑧. Refer, if necessary, to [Figure 7 on page 13](#) for the locations of A46, A47, and A49.

**Figure 16 A19 Test Set Motherboard Reinstallation**



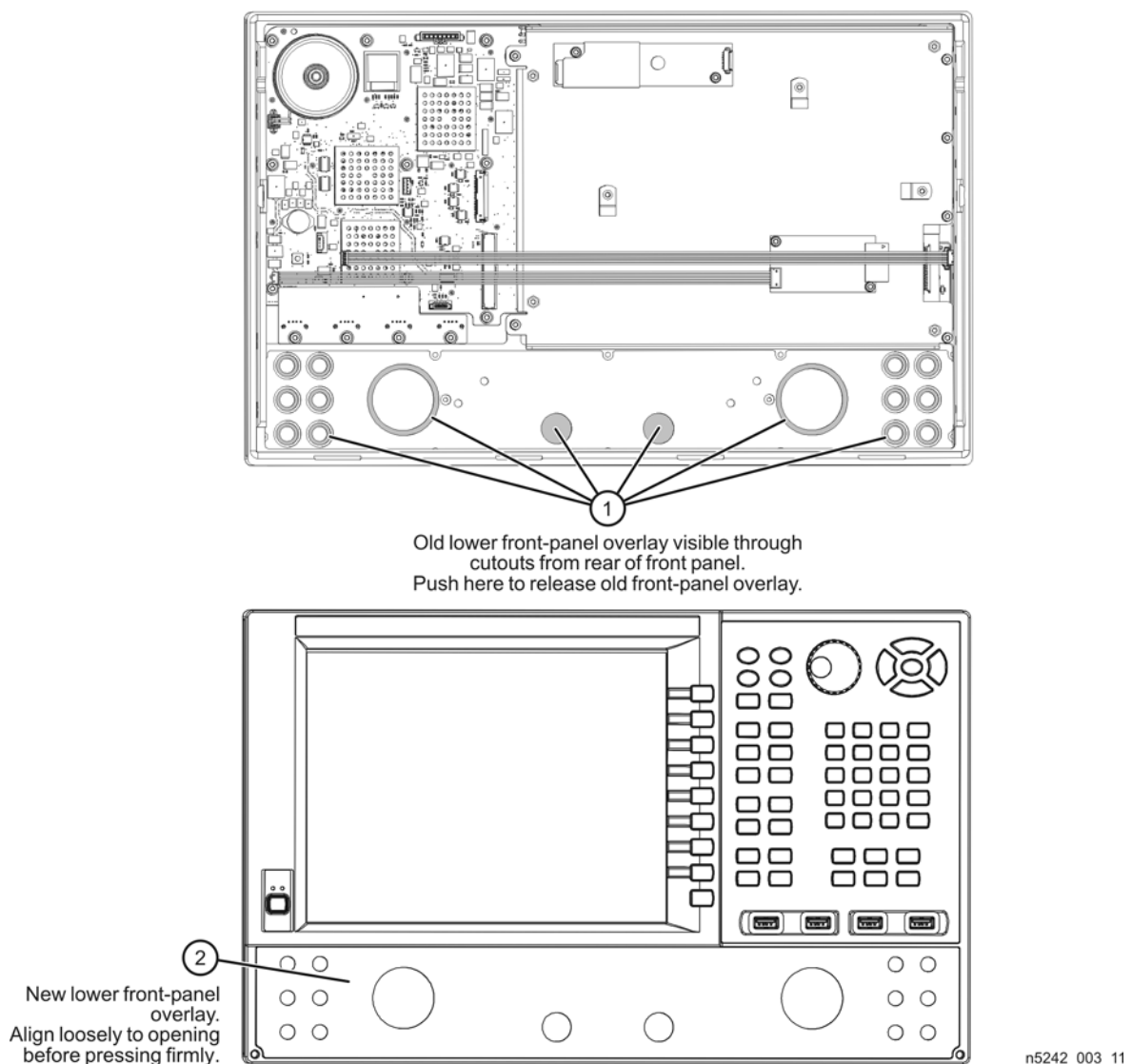


## Step 12. Replace the Lower Front Panel Overlay

Refer to [Figure 17](#) for this step of the procedure. New parts are listed in [Table 1 on page 4](#).

1. From the back side of the front panel, use a blunt object in the cutouts in the lower front dress panel to push on the old overlay (item ①) and separate it from the front dress panel.
2. From the front side of the front panel, pull off the overlay completely and discard it.
3. Remove any adhesive remaining on the front panel.
4. Remove the protective backing from the new front panel overlay (item ②).
5. Starting from either side, *loosely* place the overlay in the recess on the lower front panel, ensuring that it fits tightly against the edges of the recess.
6. Once the overlay is in place, press it firmly onto the frame to secure it.

**Figure 17 Lower Front Panel Overlay Replacement**





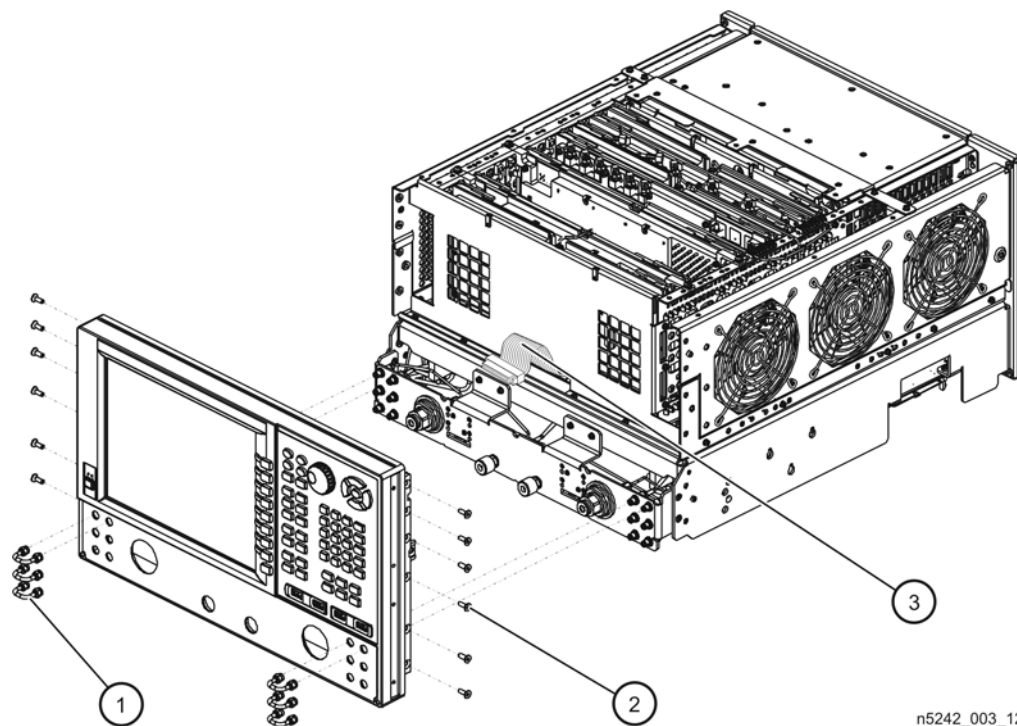
## Step 13. Reinstall the Front Panel Assembly and Front Panel Jumpers

**CAUTION** Before installing the front panel assembly onto the analyzer, lift and support the front of the analyzer chassis.

Refer to [Figure 18](#) for this step of the procedure. New parts are listed in [Table 1 on page 4](#).

1. Make sure all of the hex nuts on the front-panel cable connectors have been tightened using a 5/16-in torque wrench set to 21-in lbs.
2. Reconnect the ribbon cable (item ③) to the A1 front panel interface board.
3. Slide the front panel over the front-panel connectors.
4. With a T-10 TORX driver, reinstall the 12 screws (item ②) in the sides of the frame.
5. Reinstall the semirigid jumpers (item ①) on the front panel, and tighten each of the connectors to 10-in lbs.

**Figure 18 Front Panel Assembly Reinstallation**



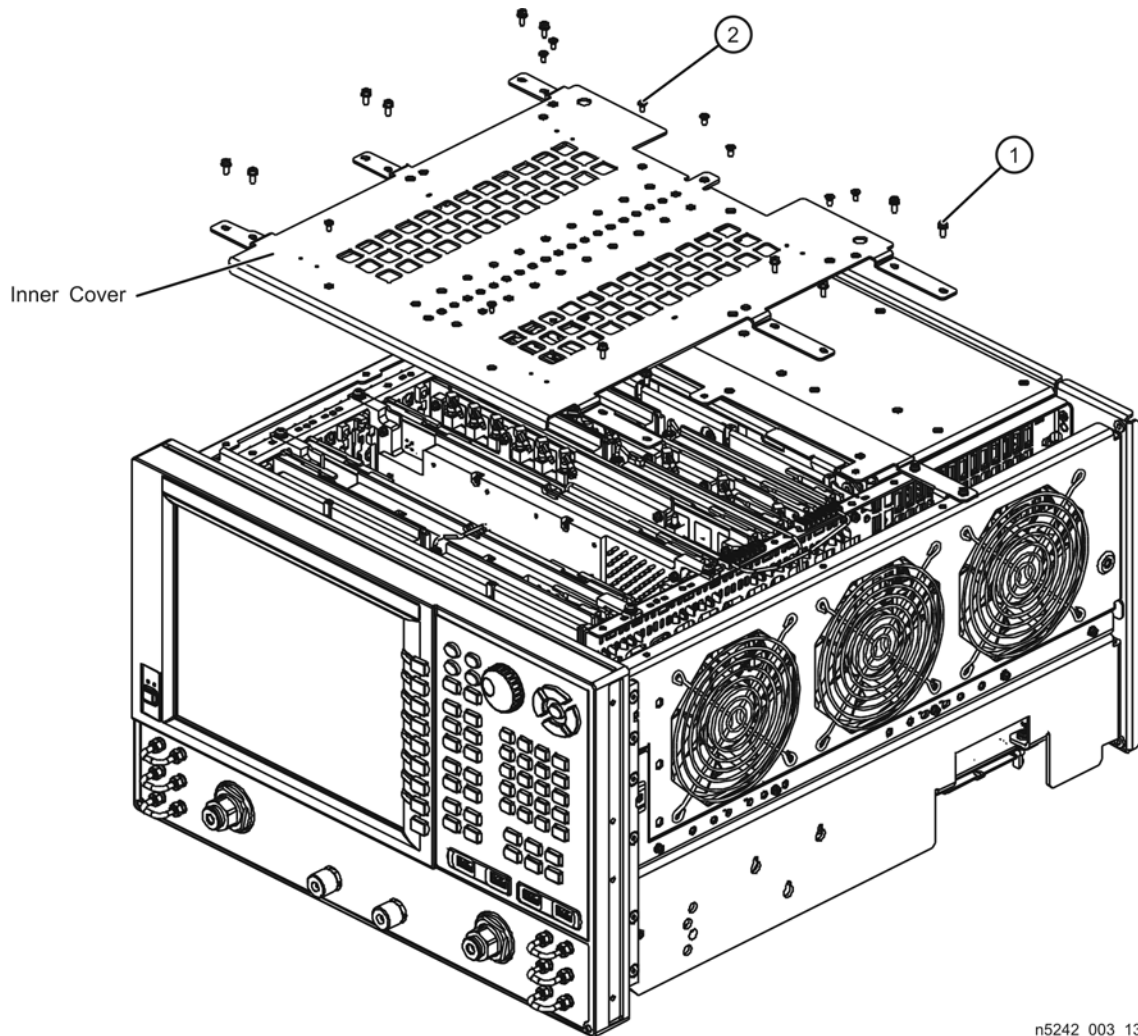
n5242\_003\_12

## Step 14. Reinstall the Inner Cover

Refer to [Figure 19](#) for this step of the procedure.

1. Position the inner cover on the analyzer.
2. With a T-10 TORX driver, install the 12 pan head screws (item ①).
3. With a T-10 TORX driver, install the 9 flat head screws (item ②).

**Figure 19 Inner Cover Reinstallation**



n5242\_003\_13

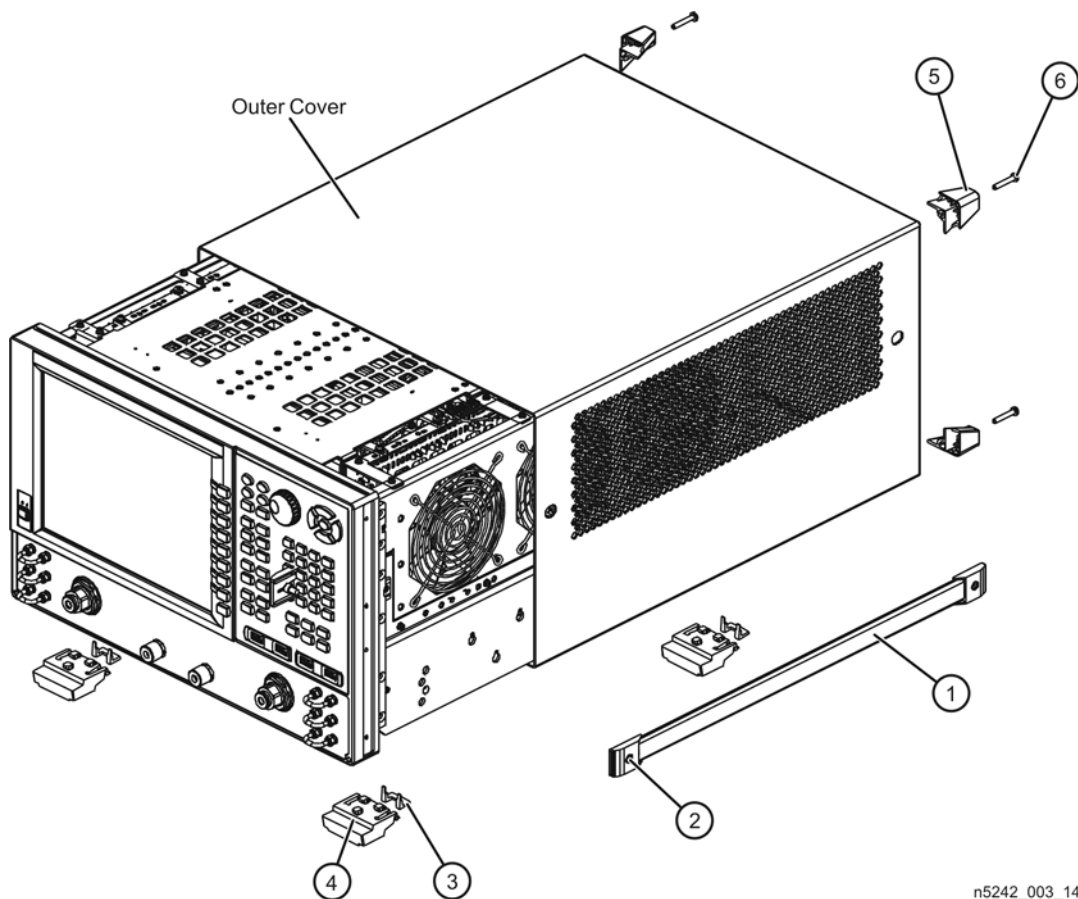
## Step 15. Reinstall the Outer Cover

**CAUTION** This procedure is best performed with the analyzer resting on its front handles in the vertical position. *Do not place the analyzer on its front panel without the handles.* This will damage the front panel assemblies.

Refer to [Figure 20](#) for this step of the procedure.

1. Slide the outer cover over the analyzer frame.
2. Install the four rear panel feet (item ⑤) by installing the center screws (item ⑥) with a T-20 TORX driver.
3. Install the four bottom feet (item ④) onto the bottom of the outer cover then install the foot locks (item ③).
4. Install the strap handles (item ①) by tightening the screws (item ②) on both ends of each strap handle with a T-20 TORX driver.

**Figure 20 Outer Cover Reinstallation**



n5242\_003\_14

## Step 16. Enable Option 224

### Procedure Requirements

- The analyzer must be powered up and operating to perform this procedure.
- The Network Analyzer program must be running.

### Option Enable Procedure

1. To start the option enable utility, press UTILITY **System**, then **Service**, then **Option Enable**. An option enable dialog box will appear.
2. Click the arrow in the **Select Desired Option** box. A list of available options will appear.
3. In the **Select Desired Option** list, click **224 - 2nd Src w/Combiner & Switches**. Click **Enable**.
4. Click **Yes** in answer to the displayed question in the **Restart Analyzer?** box.
5. When the installation is complete, click **Exit**.

### Option Verification Procedure

Once the analyzer has restarted and the Network Analyzer program is again running:

1. On the analyzer's **Help** menu, click **About Network Analyzer**.
2. Verify that "224" is listed after "Options:" in the display. Click **OK**.

---

**NOTE** If Option 224 has not been enabled, perform the "[Option Enable Procedure](#)" again. If the option is still not enabled, contact Agilent Technologies. Refer to "[Getting Assistance from Agilent](#)" on page 3.

---

## Step 17. Perform Post-Upgrade Adjustments and Calibration

### Adjustments

The following adjustments must be made due to the hardware changes of the analyzer.

- source adjustment
- receiver adjustment

These adjustments are described in the PNA Service Guide and in the PNA on-line HELP. A list of equipment required to perform these adjustments is also found in the service guide.

To view the Service Guide online, use the following steps:

1. Go to [www.agilent.com](http://www.agilent.com).
2. In the Search box, enter the model number of your analyzer, N5242A, and click **Search**.
3. Click [Technical Support > Manuals](#).
4. Click [Service Manual](#).
5. Click the service guide title to load the PDF file.
6. When the PDF of the Service Guide is displayed, scroll through the Contents section bookmarks to locate the “Tests & Adjustments” chapter.

After the specified adjustments have been performed, the analyzer should operate and phase lock over its entire frequency range.

### Operator’s Check

Perform the Operator’s Check to check the basic functionality of the analyzer. For instructions, refer to the “Tests & Adjustments” chapter of the Service Guide.

If you experience difficulty with the basic functioning of the analyzer, contact Agilent. Refer to [“Contacting Agilent” on page 3](#).

### Calibration

Although the analyzer functions, its performance relative to its specifications has not been verified. It is recommended that a full instrument calibration be performed using the analyzer’s internal performance test software. Refer to the analyzer’s service guide for information on this performance test software.

